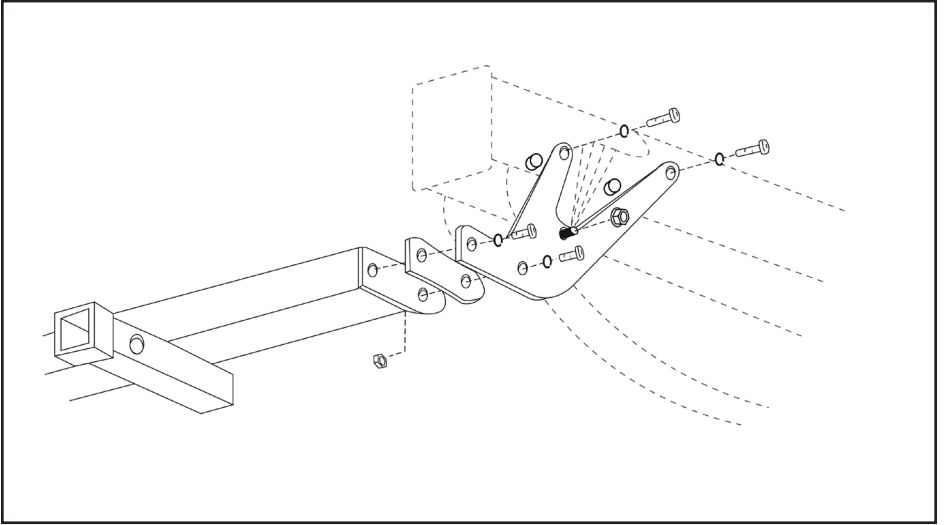


FRONT MOUNT KIT INSTALLATION INSTRUCTIONS



1999-2001 FORD SUPER DUTY F-250, F-350, F-450 AND F-550 WITHOUT BLOCKER BEAM

NOTICE TO INSTALLER: Even if familiar with product, read these instructions prior to installation as improvements may be made without notice. Always handle components with care. When done, these instructions must be given to the consumer.

NOTICE TO CONSUMER: Before using this product, read instructions. Save these instructions for future reference.

PREPARATION

⚠ CAUTION: Front Mount is rated for SNOWSPORT® Utility Plow use only!

TOOLS NEEDED

- Cutting tool
- 1/2" and 19mm Wrench
- Ratchet with 1/2" and 19mm socket
- Protective eyewear

NOTE: Hardware appearance and components may vary.

⚠ CAUTION: Over tightening hardware may damage components.

⚠ CAUTION: Always exercise caution when using a utility knife or cutting tool.

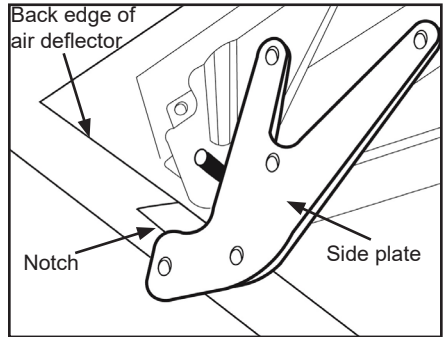
NOTE: Periodically inspect hardware and components, perform maintenance as required.

1: INSTALLING FRONT MOUNT

A. Hold side plate up and mark location at bottom of bumper, cut notch in rear edge of plastic.

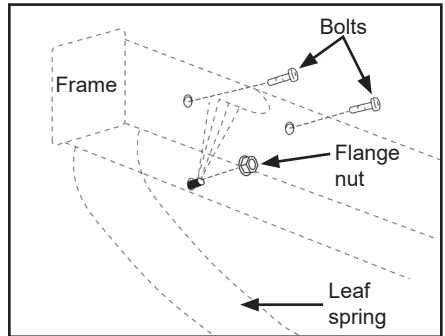
IMPORTANT: Always cut away from yourself and others.

B. Repeat for opposite side.



C. Remove flange nut at leaf spring connection and (2) upper bolts on shackle mount. Save flange nut and (2) upper nuts with clips for Step 1E.

D. Repeat for opposite side.



1: INSTALLING FRONT MOUNT (Continued)

E. Place side plate over leaf spring bolt, finger tighten flange nut from Step 1C.

F. Place lock washers on (2) 12mm x 65mm bolts, then insert bolts in upper holes of side plate. Align spacers with holes between side plate and frame. Secure with nuts with clips from Step 1C. Leave loose for now.

G. Repeat for opposite side.

NOTE: Use extra flat washers for additional spacers if required.

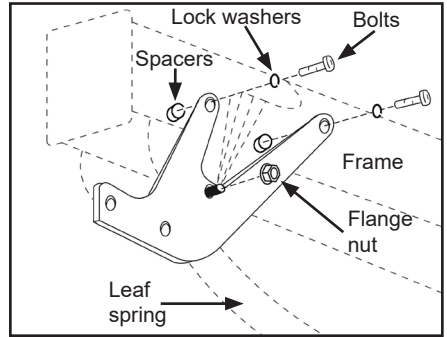
NOTE: We recommend performing this step with two people.

NOTE: Shim plates are not used on trucks with cast iron shackles.

H. Place lock washers on bolts. Align shim plates with holes in side plate, install cross member between side plates. Secure with (2) 1/2" x 1-3/4" bolts with lock washers.

I. Repeat for opposite side.

J. Fully tighten all hardware.



Driver Side

