

COMPONENTS: (2) Tarp safety cords, (4) 3/8" x 1" Self-threading bolts, (4) 3/8" Lock washers and (4) 3/8" Hex nuts

TOOLS NEEDED: Tape measure, marking pen, drill with 5/16" bit, 9/16" wrench and protective eyewear

▲ CAUTION: Even though the tarp safety cords provide wind protection, ensure you operate the tarp cautiously in wind.

Periodically inspect cord condition.

Periodically check for loose bolts and nuts, tighten if needed.

See inside for instructions.

TARP SAFETY CORD INSTRUCTIONS



TARP SAFETY CORDS

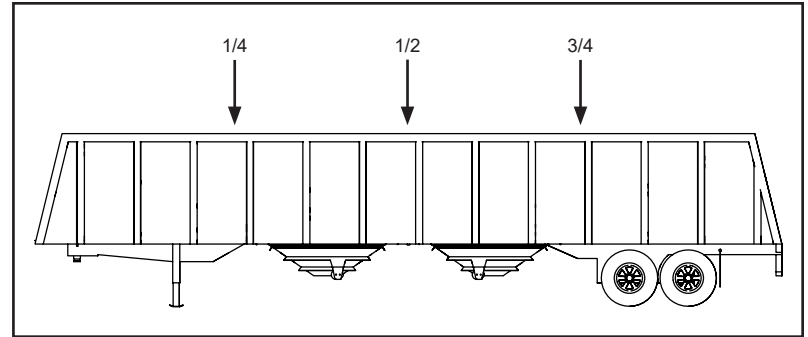
- Protect your tarp from wear and wind damage
- Tarp continues to roll open and close freely
- Universal fit on 84 to 103 in. wide trailers

TARP SAFETY CORD INSTRUCTIONS

A. Measure and divide box length into sections based on number of cords to install:

- If two cords, mark box on both sides approximately 1/4 and 3/4 from front.
- If three or more cords, divide box length into equal sections and mark on both sides.

NOTE: Always position cord in-between rivets if present.

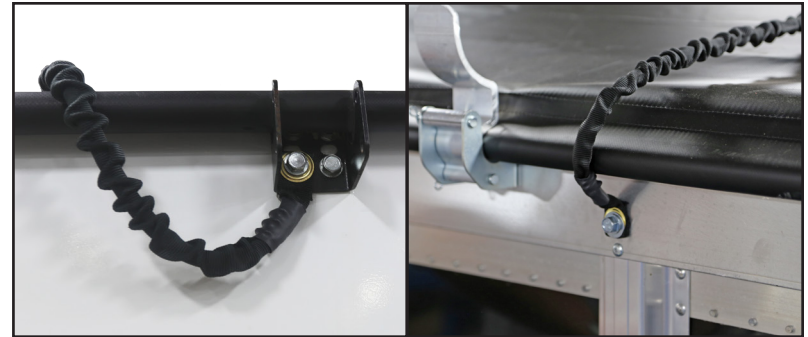


B. On tarp stop side at first marked section, locate closest structural rib. Then perform one of the following:

- If tarp stop is present at location, cord can be fastened to tarp stop hole with existing hardware.
- If not, mark right below tarp and drill 5/16" hole. Fasten cord to box with self-threading bolt.

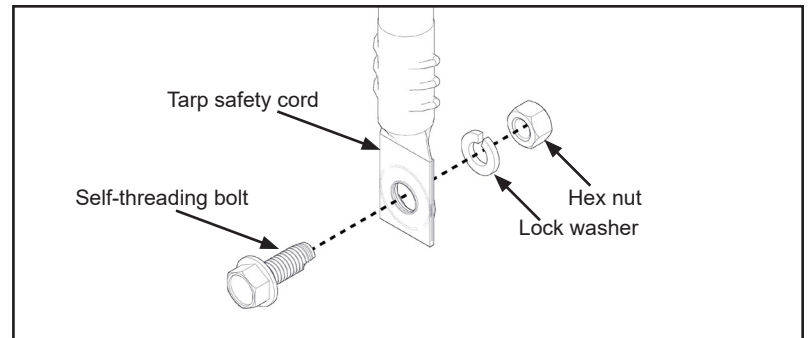
C. Position cord over tarp to opposite side of box.

D. Repeat Steps B-C for remaining cords.



E. On latch plate side, unroll tarp to hang down. Locate structural rib or vertical row of rivets directly across from cord attached on tarp stop side.

F. Pull free end of cord under roll tube and mark hole location.



IMPORTANT: Verify cord ends are directly across from each other.

NOTE: Lower bolt mounting location for boxes under 96 in. wide to reduce slack.

G. Drill 5/16" hole at marked location and secure cord flat against box with 3/8" x 1" self-threading bolt.

IMPORTANT: Secure bolt with lock washer and hex nut when possible.

H. Repeat Steps E-G for remaining cords.

