



Universal Installation Instructions



IMPORTANT!

READ AND UNDERSTAND THESE INSTRUCTIONS FOR SAFETY, INSTALLATION, OPERATION, AND MAINTENANCE. SAVE ALL INSTRUCTIONS FOR FUTURE REFERENCE.

Tested. Trusted. Guaranteed.

TABLE OF CONTENTS

TOOLS/EXPLODEDVIEW.....	Page2
INSTALLATIONINSTRUCTIONS.....	Page3-7
ACCESSORIES.....	Page7
WARRANTY.....	Page8

Tools Needed

9/16” box end wrench

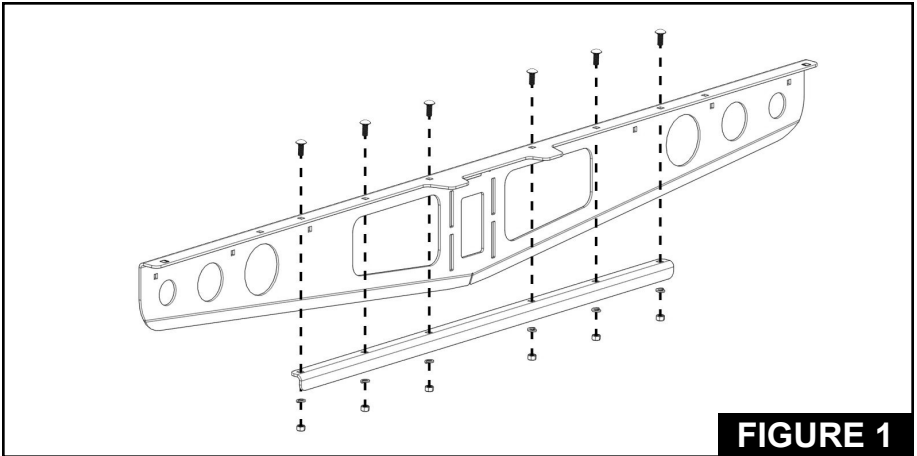
Torque wrench (ft/lbs) w/ 9/16” socket

Utility knife

Straight edge

Protective eyewear

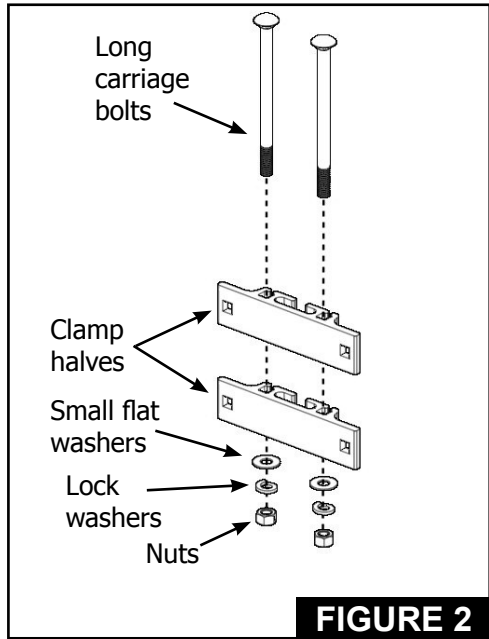
STEP 1



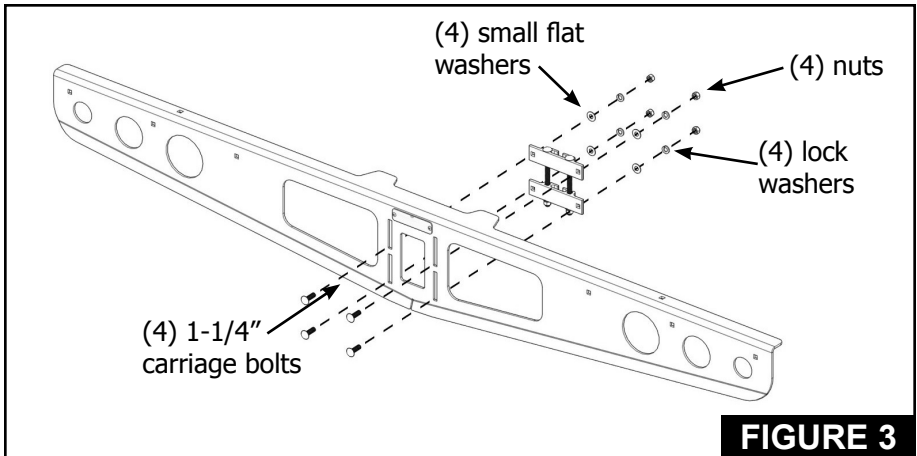
Insert (6) 1” carriage bolts through frame and gusset (orientate gusset as shown in Figure 1), secure with lock washers and nuts. Torque bolts to 32 ft/lbs.

STEP 2

Insert (2) long carriage bolts through clamp halves with small flat washer, lock washer and nut.

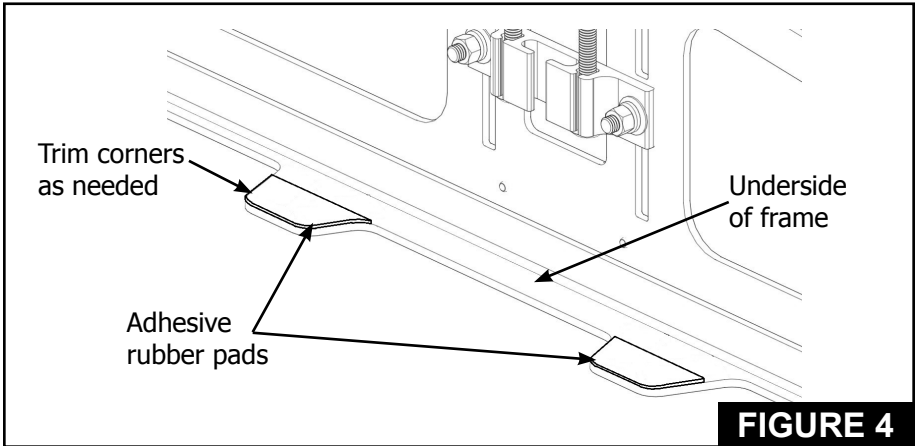


STEP 3



Orientate flat surface of clamp assembly with backside of frame so nuts on long bolts face down. Attach clamps to frame with (4) 1-1/4" carriage bolts, small flat washers, lock washers so nuts face vehicle. Leave all bolts loose for now. See page 7 for ball mounts available to order from Agri-Cover.

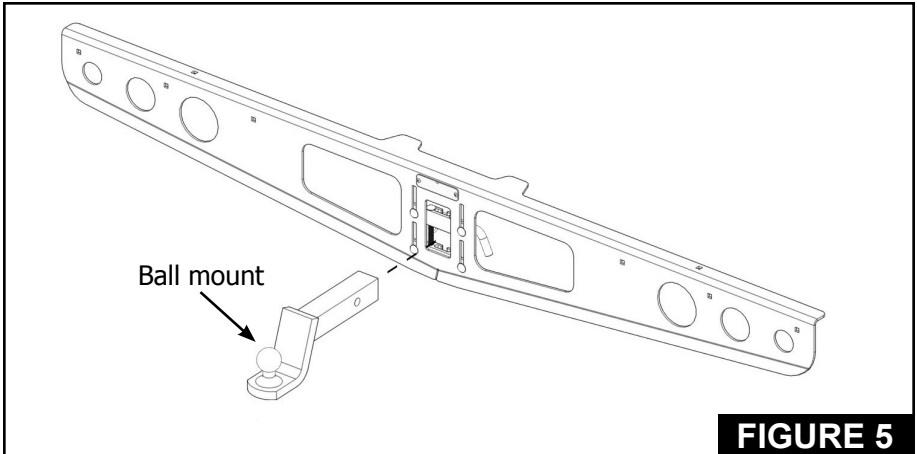
STEP 4



Cut adhesive rubber pad to appropriate length to fit on underside of support flange as shown above. Peel paper back and adhere adhesive rubber pad to this area.

NOTE: For best adhesion, air and surface temperature should be above 60 Degrees F.

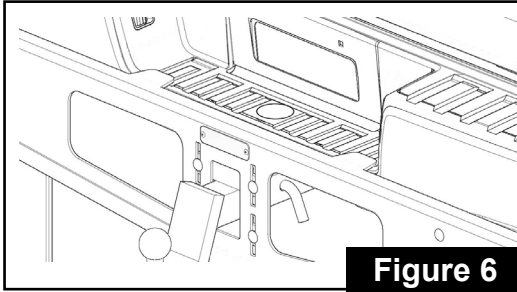
STEP 5



Slide ball mount through frame and clamps. Lift assembly up and insert ball mount into receiver tube. Secure with pin and clip.

NOTE: If ball mount holes do not align to allow pin to be inserted or if mud flap frame cannot be positioned to hang straight and plumb, a longer ball mount may be needed before proceeding.

STEP 6

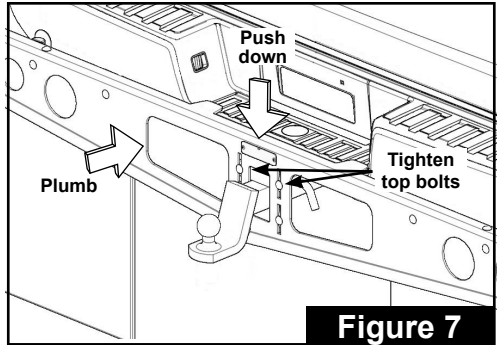


Position frame with support flanges on bumper step (Figure 6).

Important: To avoid rubbing, a gap should be left between the frame and the bumper.

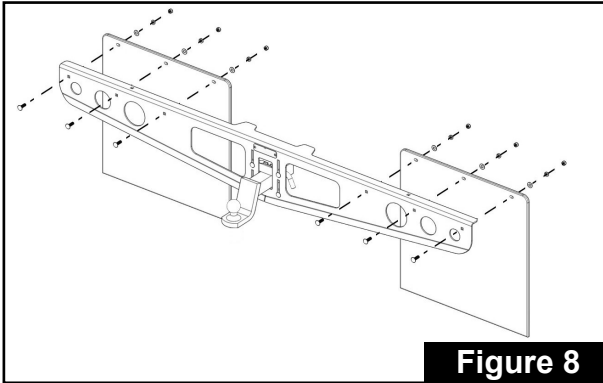
STEP 7

Finger tighten short carriage bolts on clamp assembly. Next ensure frame is level with bumper, push down firmly at bumper step on top. Make sure vertical face of frame is plumb and tighten top bolts only, equally on both sides. Next tighten remaining 4 bolts and torque all six bolts to 32 ft/lbs.



STEP 8

Position rubber flaps as shown (Figure 8). Orientate the side with letters to face the tires of the vehicle. Bolt rubber flaps to frame using (3) 1-1/4" carriage bolts, large flat washers, lock washers and nuts. Tighten nuts until lock washers are fully compressed.



NOTE TO INSTALLER/OPERATOR:

1. May not work with some custom exhausts. An optional heat shield is also available to protect rubber flaps from hot exhaust (see page 7 for details). If exhaust lines up with holes in frame, a hole may be cut in rubber at these locations.
2. ALWAYS CHECK GROUND CLEARANCE OF HITCH MOUNTED MUD FLAP. Suggested clearance is 5" to 7" above ground. If too low, undo hitch pin and remove mud flap assembly. Use straight edge to mark a cut line at bottom of each flap. Make trim cut along line.

STEP 9

Install stabilizer brackets on each side of frame using carriage bolt, small flat washer, lock washer and nut (Figure 9A). Clean bumper surface with isopropyl alcohol, remove adhesive backing and adhere protective disc on bumper where vinyl caps will rest against bumper. (Note: For best adhesion, air and surface temperature should be above 60 Degrees F). Adjust brackets until vinyl bumper caps are "snug" against vehicle bumper (Figure 9B).

STEP 9 Cont.

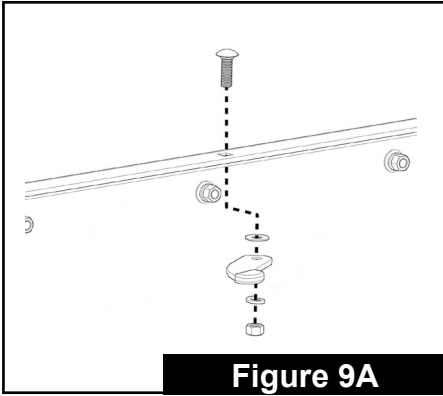


Figure 9A

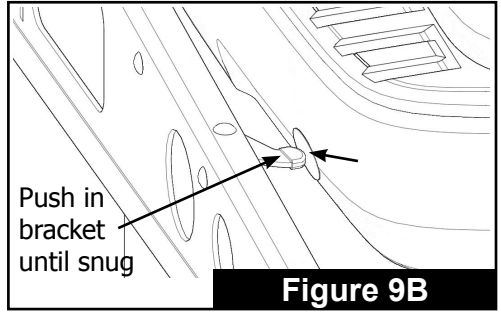
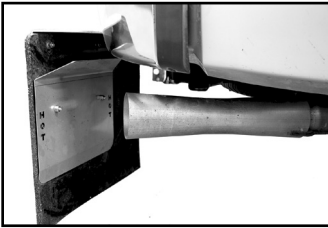


Figure 9B

TIP: If clamp assembly butts up to receiver before both bumper caps are against bumper, remove clamps and reassemble them on ball mount side of mud flap frame.

ACCESSORIES



Heat Shield

Stainless steel plate secured to mud flap with stainless steel hardware to protect your mud flaps from hot exhaust.

PN 80807



2-1/2\" Receiver Clamp

(Fits all ROCKSTAR Models)
Hardened aluminum clamp with stainless steel hardware designed for use with 2-1/2\" receivers.

PN 81008

BALL MOUNTS



Curt Ball Mounts

Curt Class 3 Ball Mounts in Black powder coated finish with up to 7,500 lbs capacity. Choose between:

2\" Drop PN 80812

4\" Drop PN 80826



Andersen Ball Mount

Andersen EZ HD – 2\" & 2 5/16\" combo ball hitch with 4\" drop or rise and up to 14,000 lbs capacity.

PN 80685

MANUFACTURER'S LIMITED WARRANTY

Agri-Cover, Inc. extends the following limited warranty to the original retail purchaser of its hitch mounted mud flaps:

Agri-Cover, Inc. warrants its ROCKSTAR™ Hitch Mounted Mud Flaps to be free from defects in material and workmanship, under normal use, as long as the original purchaser owns the truck on which the mud flaps were originally installed and as long as the mud flaps remain properly installed on said truck for one (1) year from date of manufacture unless accompanied by proof of purchase.

Agri-Cover, Inc.'s sole obligation under this limited warranty is limited to the repair or replacement, at its option, of defective parts only. No labor or service allowance is given or implied. **IN NO EVENT SHALL AGRI-COVER, INC. BE LIABLE FOR INCIDENTAL, CONSEQUENTIAL, OR SPECIAL DAMAGES. AGRI-COVER, INC. EXPRESSLY DISCLAIMS ANY AND ALL IMPLIED WARRANTIES OF MERCHANTABILITY, AND THERE ARE NO WARRANTIES WHICH EXTEND BEYOND THE LIMITED WARRANTY DESCRIPTION CONTAINED HEREIN.**

For warranty performance **call or fill out the warranty claim form online at www.agricover.com/warrantyclaim** or call our Customer Service Department at 701-251-1427 to determine if only a replacement part is needed or if the mud flaps need to be returned for inspection and repair. **Warranty registration must be on file and/or proof of original purchase (detailed and dated receipt) required for warranty to be effective. Goods to be returned must have a pre-authorized RA # (Returned Authorization Number) - obtained by calling the number above.** Mark the number on the package and ship it freight prepaid to address below. Agri-Cover, Inc. will pay freight to return goods to sender.

This limited warranty does not cover any damage due to accident, abuse, misuse, alteration, neglect, improper installation, or ordinary wear and tear.

This limited warranty gives you specific legal rights and you may have other rights, which vary, from state to state.



AGRI-COVER, INC.

Customer Satisfaction Guarantee

- Your satisfaction is our goal!
- Agri-Cover delivers dependable, high quality products
- Reliable on time shipping
- Complete Order Guarantee, no back orders
- Knowledgeable & courteous customer service
- Call Agri-Cover with any questions 888-858-3918

Tested. Trusted. Guaranteed.



Agri-Cover, Inc.

Customer Service Dept. 3000 Hwy. 281 SE,
PO Box 508 Jamestown, ND 58402

701-251-1427 • 8:00 a.m. - 5:00 p.m., Central Time
Monday through Friday, except holidays.