

DURACAP™ TRUCK TOPPER RACK

Use these instructions to install DURACAP™ Truck Topper Rack. Read and follow these instructions along with the standard instructions carefully before installing or using rack.

NOTICE TO INSTALLER: Even if familiar with product, read instructions prior to installation as improvements may be made without notice. Always handle components with care. When done, these special instructions must be given to the consumer.

NOTICE TO CONSUMER: Before using this product, read instructions. Save these instructions for future reference.

⚠ WARNING

DURACAP™ Truck Topper Racks have a static load capacity of 1000 lbs., a dynamic load capacity of 500 lbs. and an off-road dynamic load capacity of 400 lbs., evenly distributed on DURACAP™ Truck Topper Rack System including accessories. Always secure cargo properly. Failure to secure cargo or hauling inappropriate cargo may result in personal injury or death. Agri-Cover, Inc. is not responsible for any property damage, personal injury or death incurred while using any Agri-Cover, Inc. product.

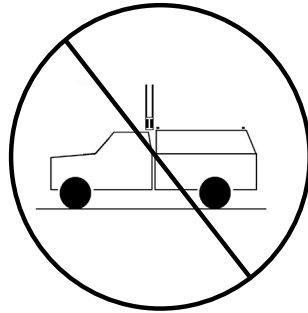
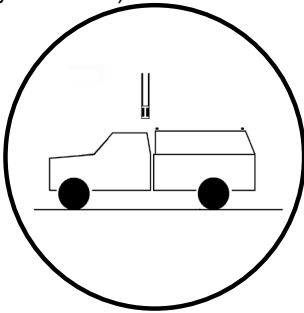
⚠ CAUTION

These products are only intended for transporting cargo evenly distributed on an DURACAP™ Truck Topper Rack System, including accessories. It is the responsibility of the user to secure these materials to the rack before transporting. Never load your rack to exceed the safe capacity of your vehicle.

Consult your vehicle's owner's manual for specifications on load ratings and recommendations for installation of aftermarket racks. Never exceed the lower load rating. Heavy loads when carried high can dangerously alter the center of gravity of your vehicle. Any modifications made to this product or use of this product for any other purpose than its intended use could create a hazardous condition that can cause serious personal injury or property damage.

NOTE

Before entering low clearance areas, check height and width clearance to ensure safe entry (empty or loaded).



PREPARATION

Clean DURACAP™ Hard Truck Topper. For additional assistance, go to duracaptoppers.com for install video.

COMPONENTS

- (2) Cross bars with hardware
- (4) End caps with hardware
- (2) Stabilizing rubber

TOOLS NEEDED

- In-lbs Torque wrench
- Ratchet with 9/16" socket
- Tape measure
- Protective eyewear

▲ CAUTION: Over torquing hardware may damage components.

NOTE: Hardware appearance and components may vary.

SAFETY INFORMATION

- Read and adhere to safety warnings and cautions.
- Don't exceed weight rating of rack and always distribute weight evenly.
- Don't exceed weight rating of truck.
- Always secure objects to DURACAP™ Truck Topper Rack.
- Always use caution when loading or unloading cargo.
- Team load and unload heavy or cumbersome objects.
- Always drive cautiously with cargo on DURACAP™ Truck Topper Rack. Additional weight changes dynamics of driving.
- Be aware of total vehicle height and width with DURACAP™ Truck Topper Rack and cargo, ensure safe passage under any low clearances.
- Verify DURACAP™ Truck Topper Rack and accessories are mounted securely before loading cargo or operating truck.
- Consult your vehicle's owner's manual for load ratings and recommendations of installation of aftermarket racks.
- If required, use dealer reinforcing kit.

1: INSTALLING CROSS BARS

NOTE: Skip to Step 1C if installing rack along with DURACAP™ Hard Truck Topper.

A. On one side, at the front, remove (2) nylock flange nuts, carriage bolts and bolting plate.

B. Repeat for opposite side.

NOTE: Carriage bolts, nylock flange nuts and bolting plate will be replaced by new hardware. Installer should return carriage bolts, nylock flange nuts and bolting plate to owner.

C. Insert (2) carriage bolts into 1 bolting plate, then slide into open nut channel in cross bar. Place (3) bolting plates onto carriage bolts, then add 1 rubber washer to each bolt.

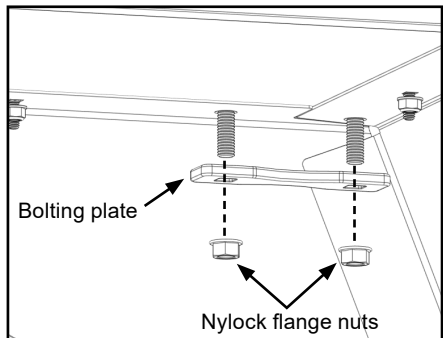
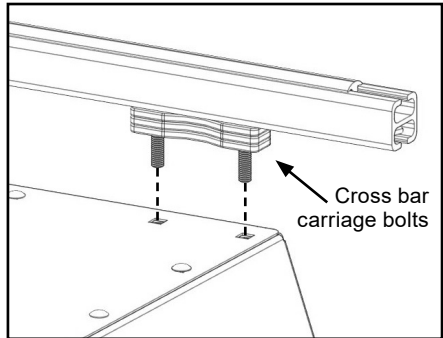
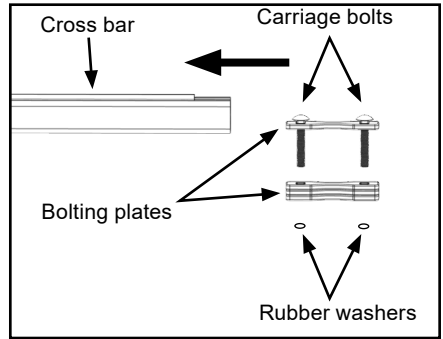
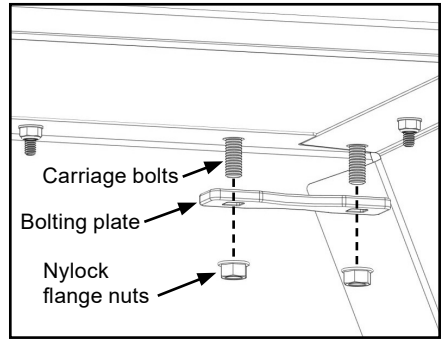
D. Repeat on opposite side.

E. Place cross bar carriage bolts through corner holes in roof.

F. Repeat Steps 1A-E for remaining cross bar.

G. Inside topper at front, place one bolting plate on carriage bolts on each side. Secure front and rear carriage bolts tight with nylock flange nuts, leaving finger tight.

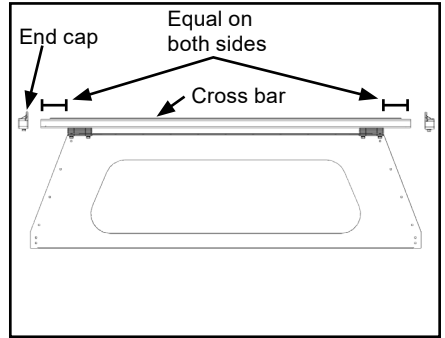
NOTE: No inside bolting plates for rear carriage bolts.



1: INSTALLING CROSS BARS (Continued)

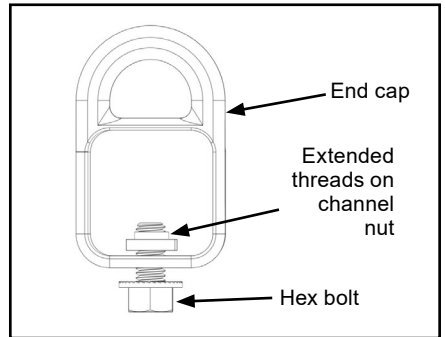
H. With cross bar installed on roof, center cross bar on topper, then fully tighten nylock flange nuts.

I. Repeat for remaining cross bar.



J. Thread 3/8" x 3/4" hex bolt from bottom of end cap bolt hole into channel nut. Leave loose for now.

IMPORTANT: Ensure extended threads on channel nut face up.

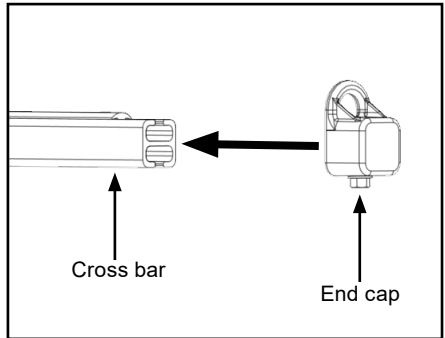


K. Slide channel nut on end cap assembly into cross bar channel. Torque bolt with 9/16" socket to 180 in-lbs (15 ft-lbs).

⚠ CAUTION: Over torquing hardware may damage components.

L. Repeat Steps 1J-K for end cap on opposite side.

M. Repeat Steps 1J-L for remaining cross bar.



TROUBLESHOOTING

PROBLEM

DURACAP™ Hard Truck Topper cross bars bow down

SOLUTION

Check weight. Do not exceed weight rating.

Check bolts are not loose.

Cross bar may be damaged and require replacement.

INSPECTION AND MAINTENANCE

The consumer can perform most of inspection and maintenance. It may be necessary to review instructions.

- Periodically inspect condition of all parts. Check for loose bolts and parts, tighten as needed.
- Replace damaged parts.

NOTE: Inspection and/or maintenance should also be performed anytime a malfunction is observed or suspected. If you need assistance inspecting and/or servicing your DURACAP™ Truck Topper Rack call Customer Service at 888-568-3709. If you want to order a replacement part, call Customer Service or visit duracapparts.com. Always use original equipment replacement parts for your DURACAP™ Truck Topper Rack.

MANUFACTURER'S LIMITED WARRANTY

Agri-Cover, Inc. extends the following one (1) year Limited Warranty for the DURACAP™ Truck Topper Rack:

Agri-Cover, Inc. warrants a period of one (1) year from the date of manufacture that its DURACAP™ Truck Topper Rack is free from defects in workmanship under normal use for the truck model it was intended for. This Limited Warranty does not cover any damage due to accident, abuse, misuse, alteration, neglect, improper installation, or ordinary wear and tear.

Agri-Cover, Inc.'s sole obligation under this Limited Warranty is limited to the repair or replacement at its option, of defective parts only. No labor or service allowance is given or implied. IN NO EVENT SHALL AGRI-COVER, INC. BE LIABLE FOR INCIDENTAL, CONSEQUENTIAL, OR SPECIAL DAMAGES. AGRI-COVER, INC. EXPRESSLY DISCLAIMS ANY AND ALL IMPLIED WARRANTIES OF MERCHANTABILITY, AND THERE ARE NO WARRANTIES WHICH EXTEND BEYOND THE LIMITED WARRANTY DESCRIPTION CONTAINED HEREIN.

For warranty, fill out the warranty claim form at www.agricover.com/warrantyclaim or call our Customer Service Department at 888-568-3709 to determine if only a replacement part is needed or if the rack needs to be returned for inspection and repair. Goods to be returned must have a pre-authorized RA # (Return Authorization Number) - obtained by calling the number above. Mark the number on the package and ship it freight prepaid to address below. Agri-Cover, Inc. will pay freight to return goods to sender.

This Limited Warranty gives you specific legal rights and you may have other rights, which vary, from state to state.

For replacement parts shop at duracapparts.com or call Customer Service at 888-568-3709.



Agri-Cover, Inc.
Customer Service Dept
3000 Hwy 281 SE
Jamestown, ND 58401
Phone: 866-568-3709

Hours: 8:00 am - 5:00 pm CST Monday through Friday, except Holidays